

DS-3E0310P-E/M(B) 8 Port Fast Ethernet Unmanaged PoE Switch



DS-3E0310P-E/M(B) switches are layer 2 100 Mbps PoE switches, providing PoE power supply technology and Gigabit network design on the basis of network access to ensure stable data upload. The switches support long range.

- 8 × 10/100 Mbps PoE port, and 2 × Gigabit RJ45 port
- IEEE 802.3at/af standard for PoE ports (Max. 80 W PoE output)
- IEEE 802.3, IEEE 802.3u, IEEE 802.3x, IEEE 802.3z and IEEE 802.3ab standard
- 6 kV surge protection for PoE ports
- Up to 300 m long-range transmission
- Wire-speed forwarding
- Store-and-forward switching
- Solid high-strength metal shell
- Reliable fan-free design

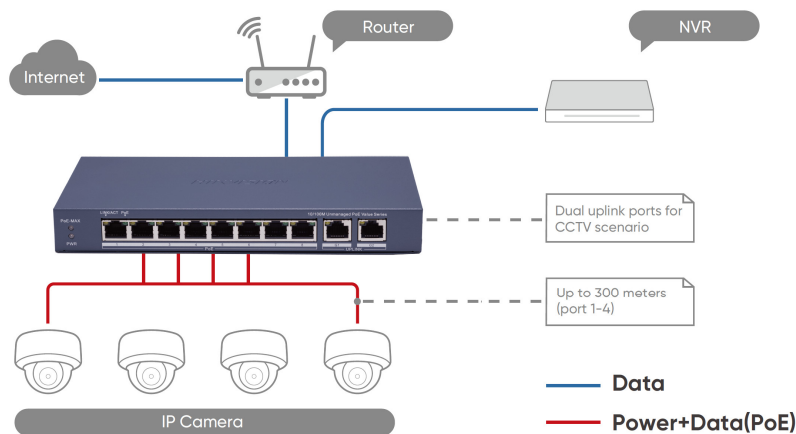
▪ Specification

General	
Shell	Metal material
Net Weight	0.555 kg (1.22 lb)
Gross Weight	1.20 kg (2.65 lb)
Dimensions (W × H × D)	217.60 mm × 27.60 mm × 108.50 mm (8.56" × 1.08" × 4.27")
Operating Temperature	0 °C to 40 °C (32 °F to 104 °F)
Storage Temperature	−40 °C to 85 °C (−40 °F to 185 °F)
Operating Humidity	5% to 95% (no condensation)
Relative Humidity	5% to 95% (no condensation)
Power Supply	54 V DC, 1.2 A
Max. Power Consumption	86 W
Power Consumption in Idle	5 W
Installation Mode	Desk-Mounted,Wall-Mounted
Surge Protection	6 kV
Network Parameters	
Ports	8 × 10/100 Mbps PoE port,2 × Gigabit RJ45 port
MAC Address Table	8 K
Switching Capacity	5.6 Gbps
Packet Forwarding Rate	4.17 Mpps
Internal Cache	4 Mbits
PoE Power Supply	
PoE Standard	IEEE 802.3af;IEEE 802.3at
PoE Power Pin	End-span: 1/2(-), 3/6(+)
PoE Port	PoE: Ports 1 to 8
Max. Port Power	30 W
PoE Power Budget	80 W
Dialing Function	
Long Range	Ports 1 to 8: up to 300 m. Long range performance may vary depend on camera model or cable condition.
Approval	
EMC	CE-EMC (EN 55032: 2015+A11: 2020, EN IEC 61000-3-2: 2019, EN 61000-3-3: 2013+A1: 2019, EN 50130-4: 2011+A1: 2014, EN 55035: 2017+A11: 2020)
Safety	CB (AMD1:2009, AMD2:2013, IEC 62368-1: 2014 (Second Edition), CE-LVD (EN 62368-1: 2014+A11: 2017)
Chemistry	CE-RoHS (201165EU); WEEE (201219EU); Reach (Regulation (EC) No.19072006)

▪ Available Model

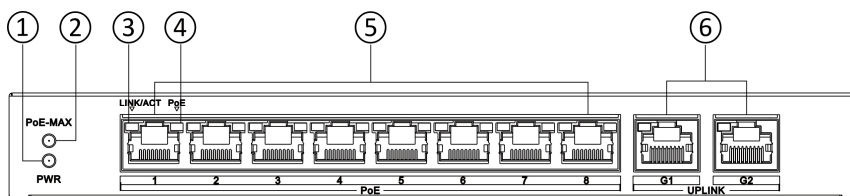
DS-3E0310P-E/M(B)

Typical Application

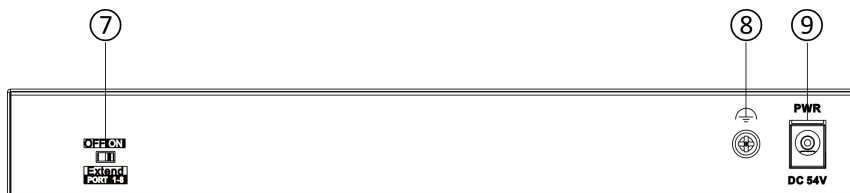


Physical Interface

Front Panel



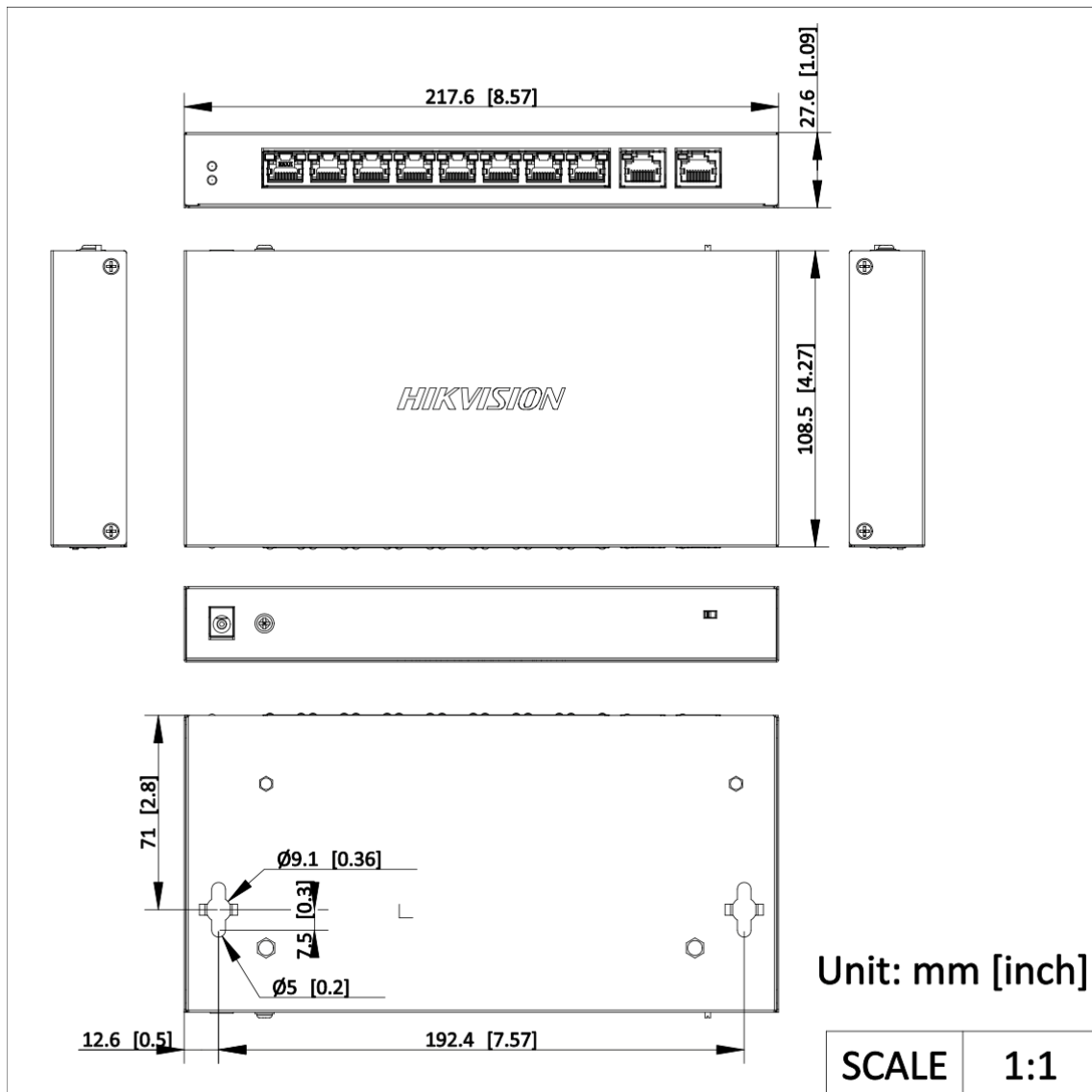
Rear Panel



No.	Indicator/Port	Description
①	PWR Indicator	<ul style="list-style-type: none"> ● Solid on: The switch is powered on normally. ● Unlit: No power supply is connected or power supply is abnormal.
②	PoE-MAX Indicator	<ul style="list-style-type: none"> ● Solid on/Flashing: The output power of the switch is about to reach or has reached the upper limit. The power supply may be abnormal if more devices are connected. ● Unlit: The switch does not supply power to a powered device (PD), or supplies power to a PD normally and its output power does not reach the upper limit. (The PoE-MAX indicator will be unlit in five seconds after the output power of the switch returns to normal.)
③	LINK/ACT Indicator	<ul style="list-style-type: none"> ● Solid on: The port is connected. ● Flashing: The port is transmitting data. ● Unlit: The port is disconnected or connection is abnormal.
④	PoE Indicator	<ul style="list-style-type: none"> ● Solid on: The switch supplies power to a PD normally. ● Unlit: The switch is disconnected from a PD or power supply is abnormal.
⑤	10/100 Mbps PoE RJ45 Port	Used for connection to a PD via a network cable.
⑥	Gigabit RJ45 Port	Used for connection to another device via a network cable.
⑦	EXTEND DIP Switch	Enable or disable long-range transmission (EXTEND mode). <ul style="list-style-type: none"> ● When the DIP switch is set to "ON", the corresponding ports support up to 300 m network transmission at a port rate of 10 Mbps. ● When the DIP switch is set to "OFF", the corresponding ports support up to 100 m network

		transmission at a port rate of 100 Mbps. (Ports 1 to 8 of 0310P series switches support up to 300 m network transmission.)
⑧	Grounding Terminal	Used for connection to a grounding cable to protect the switch from lightning.
⑨	Power Supply	Use the attached power adapter and power cord to connect the switch to a socket.

▪ Dimension



See Far, Go Further



www.hikvision.com
support@hikvision.com

