

## DS-2CE10DF0T-PF 2 MP ColorVu Fixed Bullet Camera



- High quality imaging with 2 MP, 1920 × 1080 resolution
- 24/7 color imaging with F1.0 aperture
- 3D DNR technology delivers clean and sharp images
- 2.8 mm, 3.6 mm, 6 mm fixed focal lens
- Up to 20 m white light distance for bright night imaging
- One port for four switchable signals (TVI/AHD/CVI/CVBS)
- Water and dust resistant (IP67)

## ▪ Specification

Camera	
Image Sensor	2 MP CMOS
Max. Resolution	1920 (H) × 1080 (V)
Min. Illumination	0.001 Lux @ (F1.0, AGC ON), 0 Lux with white light
Shutter Time	PAL: 1/25 s to 1/50,000 s; NTSC: 1/30 s to 1/50,000 s
Angle Adjustment	Pan: 0° to 360°, Tilt: 0° to 90°, Rotation: 0° to 360°
Signal System	PAL/NTSC
Lens	
Lens Type	2.8 mm, 3.6 mm, 6 mm fixed focal lens
Focal Length & FOV	2.8 mm, horizontal FOV: 98°, vertical FOV: 51°, diagonal FOV: 115° 3.6 mm, horizontal FOV: 76°, vertical FOV: 41°, diagonal FOV: 90° 6 mm, horizontal FOV: 50°, vertical FOV: 27°, diagonal FOV: 58°
Lens Mount	M12
Illuminator	
Supplement Light Type	White Light
Supplement Light Range	White Light Distance: Up to 20 m
Smart Supplement Light	Yes
Image	
Image Parameters Switch	STD/HIGH-SAT/HIGHLIGHT
Image Settings	Brightness, Mirror, Sharpness, Anti-Banding, AGC
Frame Rate	TVI: 1080p@25fps/30fps CVI: 1080p@25fps/30fps AHD: 1080p@25fps/30fps CVBS: PAL/NTSC
Day/Night Mode	Color
Wide Dynamic Range (WDR)	Digital WDR
Image Enhancement	BLC, HLC, Global
Noise Reduction	3D DNR/2D DNR
White Balance	Auto/Manual
Interface	
Video Output	Switchable TVI/AHD/CVI/CVBS
Alarm	Solid Light Alarm (White Light)
General	
Power	12 VDC ± 25% *You are recommended to use one power adapter to supply the power for one camera. Max. 2.4 W
Material	Plastic
Dimension	161.1 mm × 70 mm × 70 mm (6.34" × 2.76" × 2.76")
Weight	Approx. 229 g (0.50 lb)
Operating Condition	-40°C to 60°C (-40°F to 140°F), Humidity: 90% or less (non-condensing)
Communication	HIKVISION-C
Language	English

**Approval**

Protection	IP67
------------	------

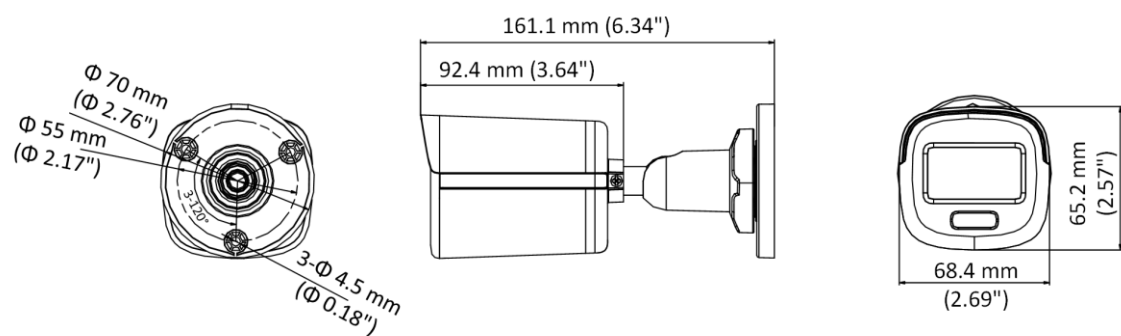
▪ **Available Model**

DS-2CE10DF0T-PF(2.8mm)

DS-2CE10DF0T-PF(3.6mm)

DS-2CE10DF0T-PF(6mm)

▪ **Dimension**



▪ **Accessory**

▪ **Optional**

**DS-1280ZJ-XS**  
Junction box



**Headquarters**

No.555 Qianmo Road, Binjiang District,  
Hangzhou 310051, China  
T +86-571-8807-5998  
www.hikvision.com



Follow us on social media to get the latest product and solution information.

